

TIZ IMPLEMENTS

HYDRAULIC EXPANSION CHUCK



1. Apply Tools

End mill, Drill, Reamer, High accuracy tools. etc.

2. High roundness within 3 μm .

This fine roundness upgrades and assures long life of tool.

3. Over limit bore size, variety size of collet can be applied.

4. Easy to clamp and unclamp with a T-wrench.

5. Good for high speed.

Even under high speed, it works very fast without vibration and makes sure of fine process and safety.

6. Coolant System.

Coolant can be supplied central through internal and external shank.

DIN69871 AD +B type.

THE MOST ADVANCED TECHNIC!

TIZ IMPLEMENTS

HYDRAULIC EXPANSION CHUCK

DIN 69871 AD+B

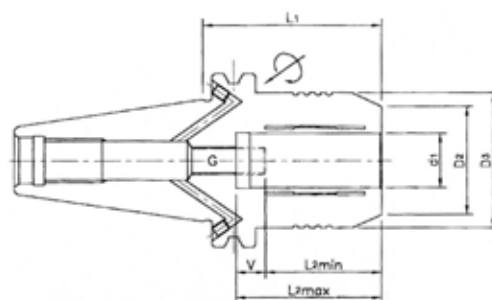
short, heavy design



HYDRAULICZNE UCHWYTY ZACISKOWE

DIN 69871 AD+B

krótkie, masywne



EDP No	Taper	d ₁	D ₂	D ₃	L ₁	L _{2max}	L _{2min}	V	G	Price/Cena
26.40.411	DIN40	20	41	49,5	64,5	52,5	42,5	10	M10x1	835,94
27.50.511	DIN50	32	56	72	81	65	55	10	M16x1	1 007,16

Ceny są w zł bez VAT Prices are in PLN without VAT

1 The chucking diameter is configured for a tool tolerance of h6

Note 2 HK Reducer clamping diameter- HK12, HK20, HK32

3 Balanced : G = 2.5n = 25,000 RPM

HYDRAULIC EXPANSION CHUCK

MAS403 AD+B

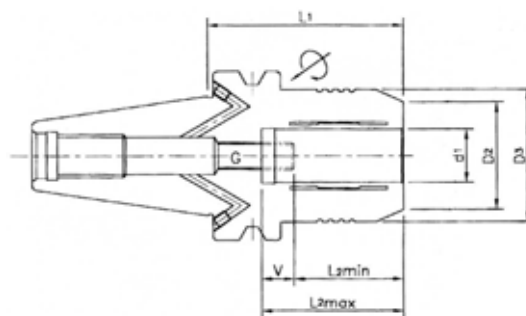
short, heavy design



HYDRAULICZNE UCHWYTY ZACISKOWE

MAS403 AD+B

krótkie, masywne



EDP No	Taper	d ₁	D ₂	D ₃	L ₁	L _{2max}	L _{2min}	V	G	Price/Cena
24.40.211	BT40	20	41	49,5	72,5	52,5	42,5	10	M10x1	835,94
27.50.311	BT50	32	56	72	90	65	55	10	M16x1	1 007,16

Ceny są w zł bez VAT Prices are in PLN without VAT

1 The chucking diameter is configured for a tool tolerance of h6

Note 2 HK Reducer clamping diameter - HK12, HK20, HK32

3 Balanced : G = 2.5n = 25,000 RPM

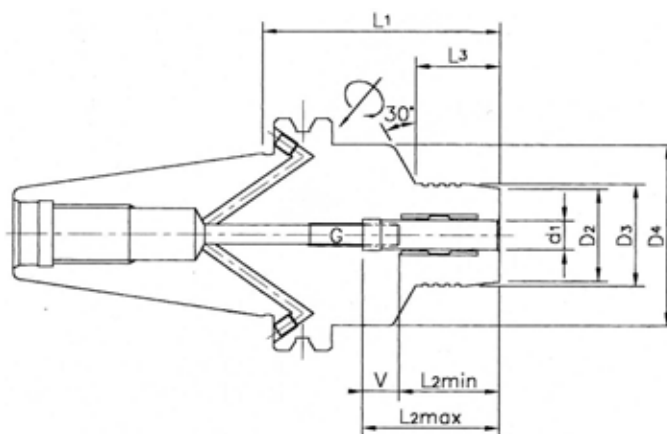
TIZ IMPLEMENTS

HYDRAULIC EXPANSION CHUCK

DIN 69871 AD+B

HYDRAULICZNE UCHWYTY ZACISKOWE

DIN 69871 AD+B



EDP No	Taper	d ₁	D ₂	D ₃	D ₄	L ₁	L _{2max}	L _{2min}	V	L ₃	G	Price/Cena
26.40.426	SK40	6mm	22	26	49.5	65	37.5	27.5	10	23	M 5	997,09
26.40.427	SK40	8mm	24	28	49.5	65	37.5	27.5	10	23	M 6	997,09
26.40.428	SK40	10mm	26	30	49.5	65	42.5	32.5	10	23	M 8x1	921,55
26.40.429	SK40	12mm	28	32	49.5	65	47.5	37.5	10	23	M10x1	921,55
26.40.430	SK40	16mm	34	38	49.5	65	52.5	42.5	10	23	M10x1	921,55
26.40.431	SK40	20mm	38	42	49.5	65	52.5	42.5	10	23	M10x1	921,55
27.50.514	SK50	6mm	22	26	49.5	90	37.5	27.5	10	30	M 5	1 204,56
27.50.515	SK50	8mm	24	28	49.5	90	37.5	27.5	10	30	M 6	1 204,56
27.50.516	SK50	10mm	26	30	49.5	90	42.5	32.5	10	32	M 8x1	1 091,76
27.50.517	SK50	12mm	28	32	49.5	90	47.5	37.5	10	32	M10x1	1 051,48
27.50.518	SK50	16mm	34	38	49.5	90	52.5	42.5	10	34	M10x1	1 051,48
27.50.519	SK50	20mm	38	42	49.5	90	52.5	42.5	10	34	M10x1	1 051,48

Ceny są w zł bez VAT Prices are in PLN without VAT

1 The chucking diameter is configured for a tool tolerance of h6

Note 2 HK Reducer clamping diameter - HK12, HK20, HK32

3 Balanced : G = 2.5n = 25,000 RPM

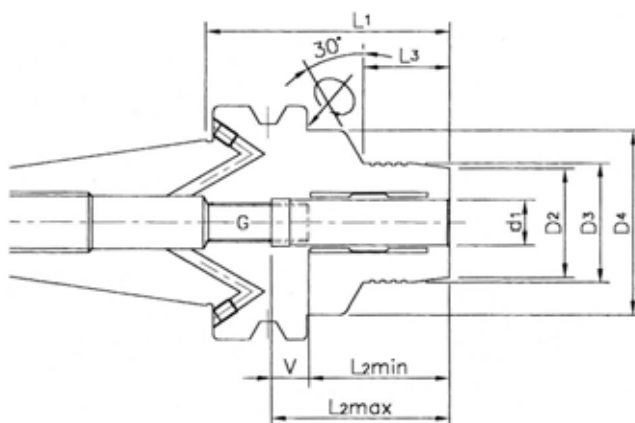
TIZ IMPLEMENTS

HYDRAULIC EXPANSION CHUCK

MAS403 AD+B

HYDRAULICZNE UCHWYTY ZACISKOWE

MAS403 AD+B



EDP No	Taper	d ₁	D ₂	D ₃	D ₄	L ₁	L _{2max}	L _{2min}	V	L ₃	G	Price/Cena
24.40.225	BT40	6mm	22	26	49.5	65	37.5	27.5	10	23	M 5	997,09
24.40.226	BT40	8mm	24	28	49.5	65	37.5	27.5	10	23	M 6	997,09
24.40.227	BT40	10mm	26	30	49.5	65	42.5	32.5	10	23	M 8x1	921,55
24.40.228	BT40	12mm	28	32	49.5	65	47.5	37.5	10	23	M10x1	889,73
24.40.229	BT40	16mm	34	38	49.5	65	52.5	42.5	10	23	M10x1	921,55
24.40.230	BT40	20mm	38	42	49.5	65	52.5	42.5	10	23	M10x1	889,73
24.40.231	BT40	25mm	55	—	60.0	100	61.0	51.0	10	—	M10x1	921,55
24.40.232	BT40	32mm	58	—	63.0	105	65.0	55.0	10	—	M10x1	997,09
25.50.316	BT50	6mm	22	26	49.5	90	37.5	27.5	10	30	M 5	1 204,56
25.50.317	BT50	8mm	24	28	49.5	90	37.5	27.5	10	30	M 6	1 204,56
25.50.318	BT50	10mm	26	30	49.5	90	42.5	32.5	10	32	M 8x1	1 091,76
25.50.319	BT50	12mm	28	32	49.5	90	47.5	37.5	10	32	M10x1	1 051,48
25.50.320	BT50	16mm	34	38	49.5	90	52.5	42.5	10	34	M10x1	1 091,76
25.50.321	BT50	20mm	38	42	49.5	90	52.5	42.5	10	34	M10x1	1 051,48
25.50.322	BT50	25mm	55	—	60.0	105	61.0	51.0	10	—	M10x1	1 091,76
25.50.323	BT50	32mm	58	—	63.0	115	65.0	55.0	10	—	M10x1	1 091,76

Ceny są w zł bez VAT Prices are in PLN without VAT

1 The chucking diameter is configured for a tool tolerance of h6

Note 2 HK Reducer clamping diameter - HK12, HK20, HK32

3 Balanced : G = 2.5n = 25,000 RPM

TIZ IMPLEMENTS

HYDRAULIC EXPANSION CHUCK

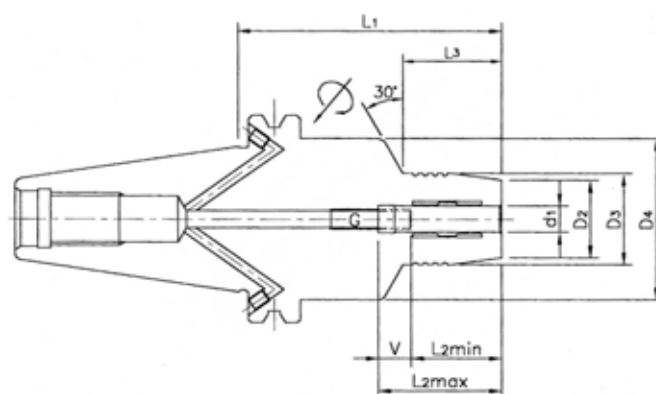
DIN 69871 AD+B

short, slim design

HYDRAULICZNE UCHWYTY ZACISKOWE

DIN 69871 AD+B

krótkie, wąskie



EDP No	Taper	d ₁	D ₂	D ₃	D ₄	L ₁	L _{2max}	L _{2min}	V	L ₃	G	Price/Cena
26.40.412	SK40	6mm	22	26	49.5	80.5	37.5	27.5	10	29.5	M 5	1 017,23
26.40.413	SK40	8mm	24	28	49.5	80.5	37.5	27.5	10	30.0	M 6	1 017,23
26.40.414	SK40	10mm	26	30	49.5	80.5	42.5	32.5	10	31.0	M 8x1	961,84
26.40.415	SK40	12mm	28	32	49.5	80.5	47.5	37.5	10	31.5	M10x1	921,55
26.40.416	SK40	16mm	34	38	49.5	80.5	52.5	42.5	10	33.0	M10x1	961,84
26.40.417	SK40	20mm	38	42	49.5	80.5	52.5	42.5	10	34.0	M10x1	921,55
26.40.418	SK40	25mm	53	55	66.0	80.5	61.0	51.0	10	22.0	M16x1	1 017,23
26.40.419	SK40	32mm	60	63	80.0	80.5	65.0	55.0	10	25.5	M16x1	1 017,23
27.50.512	SK50	20mm	38	42	49.5	80.5	52.5	42.5	10	34.0	M10x1	1 091,76

Ceny są w zł bez VAT Prices are in PLN without VAT

1 The chucking diameter is configured for a tool tolerance of h6

Note 2 HK Reducer clamping diameter - HK12, HK20, HK32

3 Balanced : G = 2.5n = 25,000 RPM

TIZ IMPLEMENTS

HYDRAULIC EXPANSION CHUCK

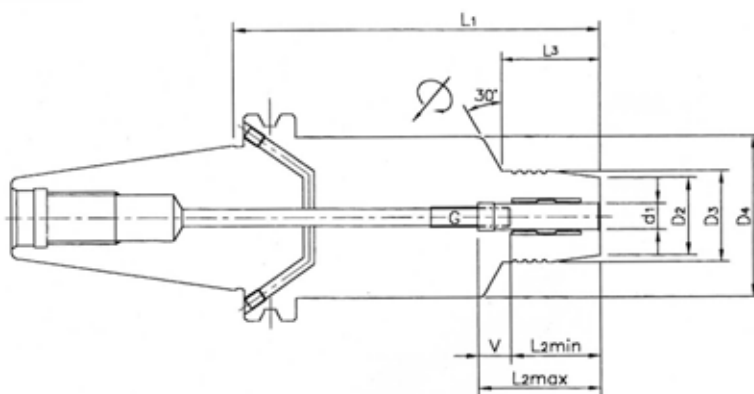
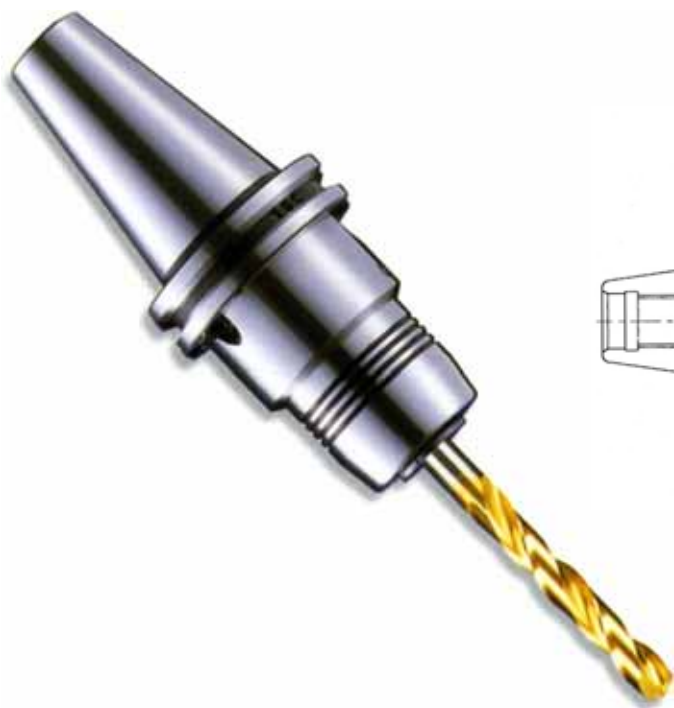
DIN 69871 AD+B

long, slim design

HYDRAULICZNE UCHWYTY ZACISKOWE

DIN 69871 AD+B

długie, wąskie



EDP No	Taper	d ₁	D ₂	D ₃	D ₄	L ₁	L _{2max}	L _{2min}	V	L ₃	G	Price/Cena
26.40.420	SK40	6mm	22	26	49.5	110	37.5	27.5	10	29.5	M 5	1 056,51
26.40.421	SK40	8mm	24	28	49.5	110	37.5	27.5	10	30.0	M 6	1 056,51
26.40.422	SK40	10mm	26	30	49.5	110	42.5	32.5	10	31.0	M 8x1	993,06
26.40.423	SK40	12mm	28	32	49.5	110	47.5	37.5	10	31.5	M10x1	943,71
26.40.424	SK40	16mm	34	38	49.5	110	52.5	42.5	10	33.0	M10x1	993,06
26.40.425	SK40	20mm	38	42	49.5	110	52.5	42.5	10	34.0	M10x1	943,71
27.50.513	SK50	20mm	38	42	49.5	110	52.5	42.5	10	34.0	M10x1	1 091,76

Ceny są w zł bez VAT Prices are in PLN without VAT

1 The chucking diameter is configured for a tool tolerance of h6

Note 2 HK Reducer clamping diameter - HK12, HK20, HK32

3 Balanced : G = 2.5n = 25,000 RPM

TIZ IMPLEMENTS

HYDRAULIC EXPANSION CHUCK

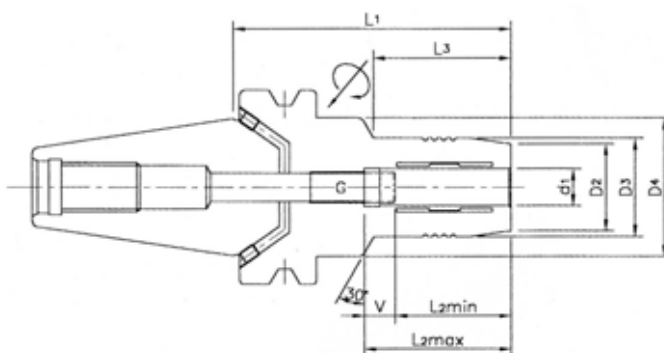
MAS403 AD+B

short, slim design

HYDRAULICZNE UCHWYTY ZACISKOWE

MAS403 AD+B

krótkie, wąskie



EDP No	Taper	d ₁	D ₂	D ₃	D ₄	L ₁	L _{2max}	L _{2min}	V	L ₃	G	Price/Cena
24.40.212	BT40	6mm	22	26	45	90	37.5	27.5	10	43.0	M 5	1 017,23
24.40.213	BT40	8mm	24	28	45	90	37.5	27.5	10	44.5	M 6	1 017,23
24.40.214	BT40	10mm	26	30	45	90	42.5	32.5	10	44.5	M 8x1	961,84
24.40.215	BT40	12mm	28	32	45	90	47.5	37.5	10	44.5	M10x1	921,55
24.40.216	BT40	16mm	34	38	45	90	52.5	42.5	10	47.5	M10x1	961,84
24.40.217	BT40	20mm	38	42	45	90	52.5	42.5	10	47.5	M10x1	921,55
24.40.218	BT40	32mm	60	63	80	83	65.0	55.0	10	25.5	M10x1	1 017,23
25.50.312	BT50	12mm	28	32	45	90	47.5	37.5	10	34.0	M10x1	1 051,48
25.50.313	BT50	20mm	38	42	45	90	52.5	42.5	10	34.0	M10x1	1 051,48

Ceny są w zł bez VAT Prices are in PLN without VAT

1 The chucking diameter is configured for a tool tolerance of h6

Note 2 HK Reducer clamping diameter - HK12, HK20, HK32

3 Balanced : G = 2.5n = 25,000 RPM

TIZ IMPLEMENTS

HYDRAULIC EXPANSION CHUCK

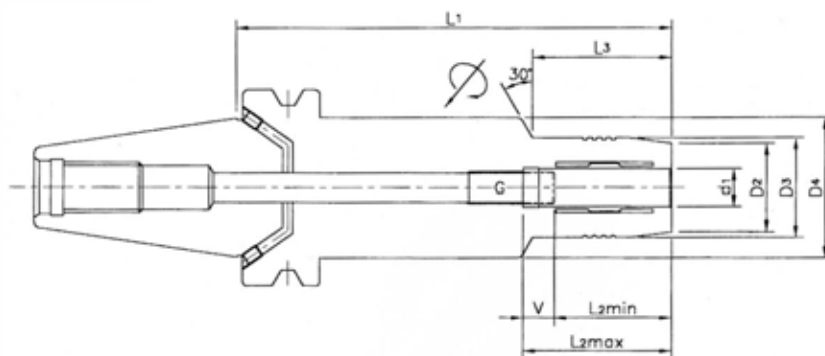
MAS403 AD+B

long, slim design

HYDRAULICZNE UCHWYTY ZACISKOWE

MAS403 AD+B

długie, wąskie



EDP No	Taper	d ₁	D ₂	D ₃	D ₄	L ₁	L _{2max}	L _{2min}	V	L ₃	G	Price/Cena
24.40.219	BT40	6mm	22	26	45	140	37.5	27.5	10	43.0	M 5	1 067,59
24.40.220	BT40	8mm	24	28	45	140	37.5	27.5	10	44.5	M 6	1 067,59
24.40.221	BT40	10mm	26	30	45	140	42.5	32.5	10	44.5	M 8x1	1 007,16
24.40.222	BT40	12mm	28	32	45	140	47.5	37.5	10	44.5	M10x1	956,80
24.40.223	BT40	16mm	34	38	45	140	52.5	42.5	10	47.5	M10x1	1 007,16
24.40.224	BT40	20mm	38	42	45	140	52.5	42.5	10	47.5	M10x1	956,80
25.50.314	BT50	12mm	28	32	45	140	47.5	37.5	10	34.0	M10x1	1 177,37
25.50.315	BT50	20mm	38	42	45	140	52.5	42.5	10	34.0	M10x1	1 177,37

Ceny są w zł bez VAT Prices are in PLN without VAT

1 The chucking diameter is configured for a tool tolerance of h6

Note 2 HK Reducer clamping diameter - HK12, HK20, HK32

3 Balanced : G = 2.5n = 25,000 RPM

TIZ IMPLEMENTS

HYDRAULIC EXPANSION CHUCK

HSKA+C

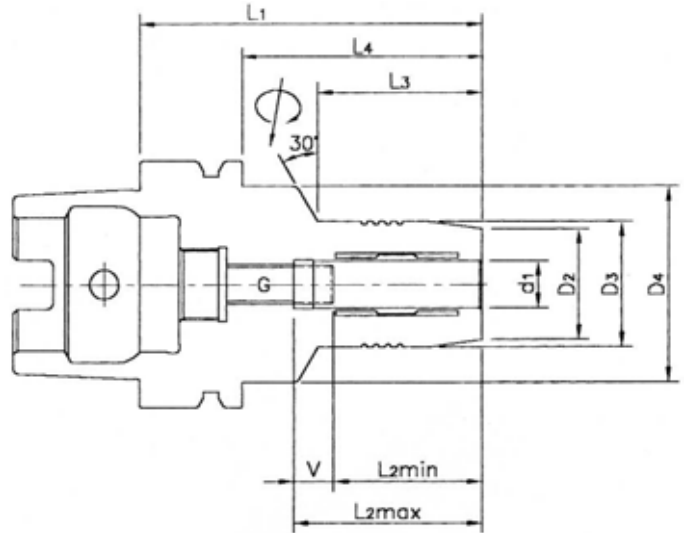
for automatic tool change type



HYDRAULICZNE UCHWYTY ZACISKOWE

HSKA+C

do wymiany automatycznej



EDP No	Taper	d ₁	D ₂	D ₃	D ₄	L ₁	L _{2max}	L _{2min}	V	L ₃	L ₄	G	Price/Cena
28.40.611	HSK-A 40	6mm	22	26	33.5	70	37	27	10	36	50	M 5	1 013,20
29.50.711	HSK-A 50		22	26	40.0	70	37	27	10	28	44	M 5	1 032,34
30.63.811	HSK-A 63		22	26	50.0	70	37	27	10	24	44	M 5	1 132,35
31.10.911	HSK-A 100		22	26	50.0	75	37	27	10	26	46	M 5	1 464,41
28.40.612	HSK-A 40	8mm	24	28	33.5	70	37	27	10	36	50	M 6	1 013,20
29.50.712	HSK-A 50		24	28	40.0	70	37	27	10	28	44	M 6	1 032,34
30.63.812	HSK-A 63		24	28	50.0	70	37	27	10	24	44	M 6	1 132,35
31.10.912	HSK-A 100		24	28	50.0	75	37	27	10	26	46	M 6	1 464,41
28.40.613	HSK-A 40	10mm	26	30	33.5	75	41	31	10	42	55	M 6	976,95
29.50.713	HSK-A 50		26	30	40.0	75	41	31	10	34	49	M 8x1	995,07
30.63.813	HSK-A 63		26	30	50.0	80	41	31	10	35	54	M 8x1	1 087,73
31.10.913	HSK-A 100		26	30	50.0	90	41	31	10	42	61	M 8x1	1 329,45
28.40.614	HSK-A 40	12mm	28	32	33.5	80	46	36	10	48	60	M 6	934,64
29.50.714	HSK-A 50		28	32	40.0	85	46	36	10	44	59	M10x1	956,80
30.63.814	HSK-A 63		28	32	50.0	85	46	36	10	40	59	M10x1	1 047,45
31.10.914	HSK-A 100		28	32	50.0	95	46	36	10	47	66	M10x1	1 279,09
29.50.715	HSK-A 50	14mm	30	34	40.0	85	46	36	10	44	59	M10x1	995,07
30.63.815	HSK-A 63		30	34	50.0	85	46	36	10	40	59	M10x1	1 087,73
31.10.915	HSK-A 100		30	34	50.0	95	46	36	10	47	66	M10x1	1 329,45
29.50.716	HSK-A 50		34	38	53.0	90	49	39	10	30	64	M10x1	995,07
30.63.816	HSK-A 63	16mm	34	38	50.0	90	49	39	10	46	64	M10x1	1 087,73
31.10.916	HSK-A 100		34	38	50.0	100	49	39	10	53	71	M10x1	1 329,45
29.50.717	HSK-A 50		36	40	57	90	49	39	10	30	64	M10x1	995,07
30.63.817	HSK-A 63		36	40	50	90	49	39	10	47	64	M10x1	1 087,73
31.10.917	HSK-A 100	18mm	36	40	50	100	49	39	10	53	71	M10x1	1 329,45
29.50.718	HSK-A 50		38	42	60	90	51	41	10	29	64	M10x1	956,80
30.63.818	HSK-A 63		38	42	50	90	51	41	10	48	64	M10x1	1 047,45
31.10.918	HSK-A 100		38	42	50	105	51	41	10	59	76	M10x1	1 279,09
30.63.819	HSK-A 63	25mm	53	57	63	120	57	47	10	59	94	M16x1	1 158,23
31.10.919	HSK-A 100		53	57	63	110	57	47	10	62	81	M16x1	1 329,45
30.63.820	HSK-A 63		60	64	75	125	61	51	10	63	99	M16x1	1 158,23
31.10.920	HSK-A 100		60	64	75	110	61	51	10	62	81	M16x1	1 329,45

Ceny są w zł bez VAT Prices are in PLN without VAT

1 The chucking diameter is configured for a tool tolerance of h6

Note 2 HK Reducer clamping diameter - HK12, HK20, HK32

3 Balanced : G = 2.5n = 25,000 RPM

TIZ IMPLEMENTS

HYDRAULIC EXPANSION CHUCK

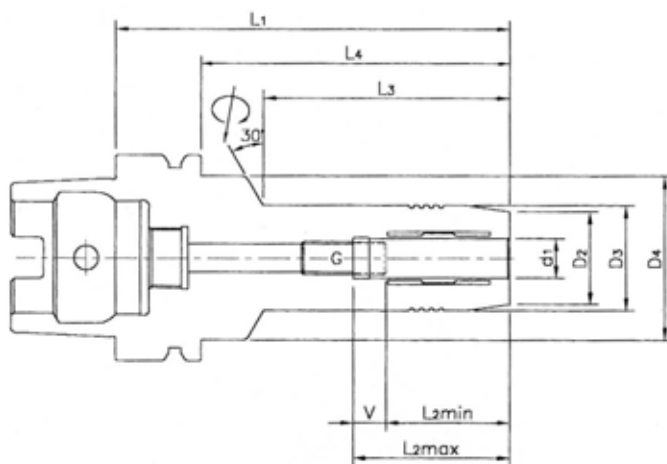
HSKA+C for automatic tool change

long, slim design

HYDRAULICZNE UCHWYTY ZACISKOWE

HSKA+C do wymiany automatycznej

długie, wąskie



EDP No	Taper	d ₁	D ₂	D ₃	D ₄	L ₁	L _{2max}	L _{2min}	V	L ₃	L ₄	G	Price/Cena
30.63.821	HSK-A 63	6mm	22	26	50	150	37	27	10	103	124	M 5	1 459,37
30.63.822			22	26	50	200	37	27	10	153	174	M 5	1 520,81
30.63.823	HSK-A 63	8mm	24	28	50	150	37	27	10	104	124	M 6	1 459,37
30.63.824			24	28	50	200	37	27	10	154	174	M 6	1 520,81
30.63.825	HSK-A 63	10mm	26	30	50	150	41	31	10	104	124	M 8x1	1 459,37
30.63.826			26	30	50	200	41	31	10	154	174	M 8x1	1 520,81
30.63.827	HSK-A 63	12mm	28	32	50	150	46	36	10	105	124	M10x1	1 459,37
30.63.828			28	32	50	200	46	36	10	155	174	M10x1	1 520,81
30.63.829	HSK-A 63	14mm	30	34	50	150	46	36	10	105	124	M10x1	1 459,37
30.63.830			30	34	50	200	46	36	10	155	174	M10x1	1 520,81
30.63.831	HSK-A 63	16mm	34	38	50	150	49	39	10	106	124	M10x1	1 459,37
30.63.832			34	38	50	200	49	39	10	156	174	M10x1	1 520,81
30.63.833	HSK-A 63	18mm	36	40	50	150	49	39	10	107	124	M10x1	1 459,37
30.63.834			36	40	50	200	49	39	10	157	174	M10x1	1 520,81
30.63.835	HSK-A 63	20mm	38	42	50	150	51	41	10	108	124	M16x1	1 459,37
30.63.836			38	42	50	200	51	41	10	158	174	M16x1	1 520,81

Ceny są w zł bez VAT Prices are in PLN without VAT

1 The chucking diameter is configured for a tool tolerance of h6

Note 2 HK Reducer clamping diameter - HK12, HK20, HK32

3 Balanced : G = 2.5n = 25,000 RPM

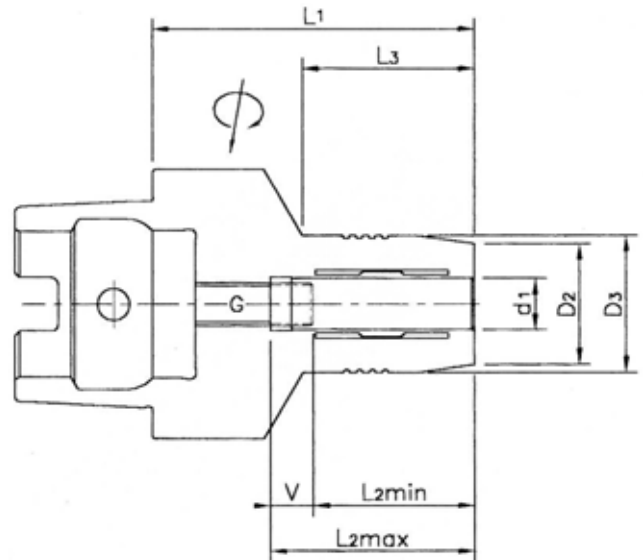
TIZ IMPLEMENTS

HYDRAULIC EXPANSION CHUCK

HSK for manual tool change

HYDRAULICZNE UCHWYTY ZACISKOWE

HSK do wymiany ręcznej



EDP No	Taper	d ₁	D ₂	D ₃	L ₁	L _{2max}	L _{2min}	V	L ₃	G	Price/Cena
28.40.615	HSK-C 40	6mm	22		60	37	27	10	35	M 5	987,02
29.50.719	HSK-C 50		22	26	60	37	27	10	30	M 5	1 007,16
30.63.837	HSK-C 63		22	26	60	37	27	10	25	M 5	1 107,88
28.40.616	HSK-C 40	8mm	24	28	60	37	27	10	36	M 6	987,02
29.50.720	HSK-C 50		24	28	60	37	27	10	30	M 6	1 007,16
30.63.838	HSK-C 63		24	28	60	37	27	10	25	M 6	1 107,88
28.40.617	HSK-C 40	10mm	26	30	65	41	31	10	41	M 6	956,80
29.50.721	HSK-C 50		26	30	65	41	31	10	35	M 8x1	966,87
30.63.839	HSK-C 63		26	30	65	41	31	10	31	M 8x1	1 057,52
28.40.618	HSK-C 40	12mm	28	32	70	46	36	10	47	M 6	906,44
29.50.722	HSK-C 50		28	32	75	46	36	10	44	M10x1	936,66
30.63.840	HSK-C 63		28	32	75	46	36	10	41	M10x1	1 007,16
29.50.723	HSK-C 50	14mm	30	34	75	46	36	10	46	M10x1	966,87
30.63.841	HSK-C 63		30	34	75	46	36	10	42	M10x1	1 057,52
29.50.724	HSK-C 50	16mm	34	38	80	49	39	10	51	M10x1	966,87
30.63.842	HSK-C 63		34	38	80	49	39	10	48	M10x1	1 057,52
29.50.725	HSK-C 50	18mm	36	40	80	49	39	10	51	M10x1	966,87
30.63.843	HSK-C 63		36	40	80	49	39	10	48	M10x1	1 057,52
29.50.726	HSK-C 50	20mm	38	42	80	51 -	41	10	52	M10x1	936,66
30.63.844	HSK-C 63		38	42	80	51	41	10	49	M10x1	1 007,16
30.63.845	HSK-C 63	25mm	53	57	95	57	47	10	63	M16x1	1 107,88
30.63.846	HSK-C 63	32mm	59	63	100	61	51	10	—	M16x1	1 107,88

Ceny są w zł bez VAT Prices are in PLN without VAT

1 The chucking diameter is configured for a tool tolerance of h6

Note 2 HK Reducer clamping diameter - HK12, HK20, HK32

3 Balanced : G = 2.5n = 25,000 RPM

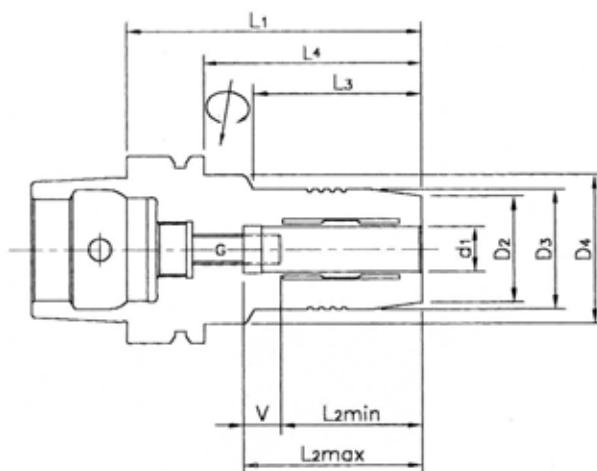
TIZ IMPLEMENTS

HYDRAULIC EXPANSION CHUCK

HSKE for automatic tool change

HYDRAULICZNE UCHWYTY ZACISKOWE

HSKE do wymiany automatycznej



EDP No	Taper	d ₁	D ₂	D ₃	D ₄	L ₁	L _{2max}	L _{2min}	V	L ₃	L ₄	G	Price/Cena
28.40.619	HSK-E 40	6mm	22	26	33.5	70	37	27	10	36	50	M 5	1 063,86
29.50.727	HSK-E 50		22	26	40.0	70	37	27	10	28	44	M 5	1 087,73
28.40.620	HSK-E 40	8mm	24	28	33.5	70	37	27	10	36	50	M 6	1 063,86
29.50.728	HSK-E 50		24	28	40.0	70	37	27	10	28	44	M 6	1 087,73
28.40.621	HSK-E 40	10mm	26	30	33.5	75	41	31	10	42	55	M 6	1 027,30
29.50.729	HSK-E 50		26	30	40.0	75	41	31	10	34	49	M 8x1	1 047,45
28.40.622	HSK-E 40	12mm	28	32	33.5	80	46	36	10	48	60	M 6	981,98
29.50.730	HSK-E 50		28	32	40.0	85	46	36	10	44	59	M10x1	1 007,16
29.50.731	HSK-E 50	16mm	34	38	53	90	49	39	10	30	64	M10x1	1 047,45
29.50.732	HSK-E 50	20mm	38	42	60	90	51	41	10	29	64	M10x1	981,98

Ceny są w zł bez VAT Prices are in PLN without VAT

1 The chucking diameter is configured for a tool tolerance of h6

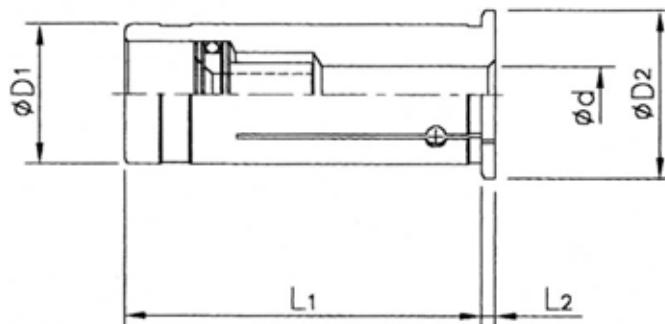
Note 2 HK Reducer clamping diameter - HK12, HK20, HK32

3 Balanced : G = 2.5n = 25,000 RPM

TIZ IMPLEMENTS

HYDRAULIC COOLET

POŚREDNIE TULEJKI ZACISKOWE



	EDP No	d	D ₁	D ₂	L ₁	L ₂	Price/Cena
21.12.003	HK12	3	12	16	44.5	2	241,72
21.12.004		4					241,72
21.12.005		5					241,72
21.12.006		6					241,72
21.12.008		8					241,72
22.20.003	HK20	3	20	24	50.5	2	221,58
22.20.004		4					221,58
22.20.005		5					221,58
22.20.006		6					221,58
22.20.007		7					221,58
22.20.008		8					221,58
22.20.009		9					221,58
22.20.010		10					221,58
22.20.011		11					221,58
22.20.012		12					221,58
22.20.013		13					221,58
22.20.014	14	221,58					
22.20.015	15	221,58					
22.20.016	16	221,58					
22.20.017	17	221,58					
23.32.006	HK32	6	32	36	60.5	3	221,58
23.32.008		8					221,58
23.32.010		10					221,58
23.32.012		12					221,58
23.32.014		14					221,58
23.32.016		16					221,58
23.32.018		18					221,58
23.32.020		20					221,58
23.32.025		25					221,58

Ceny są w zł bez VAT Prices are in PLN without VAT